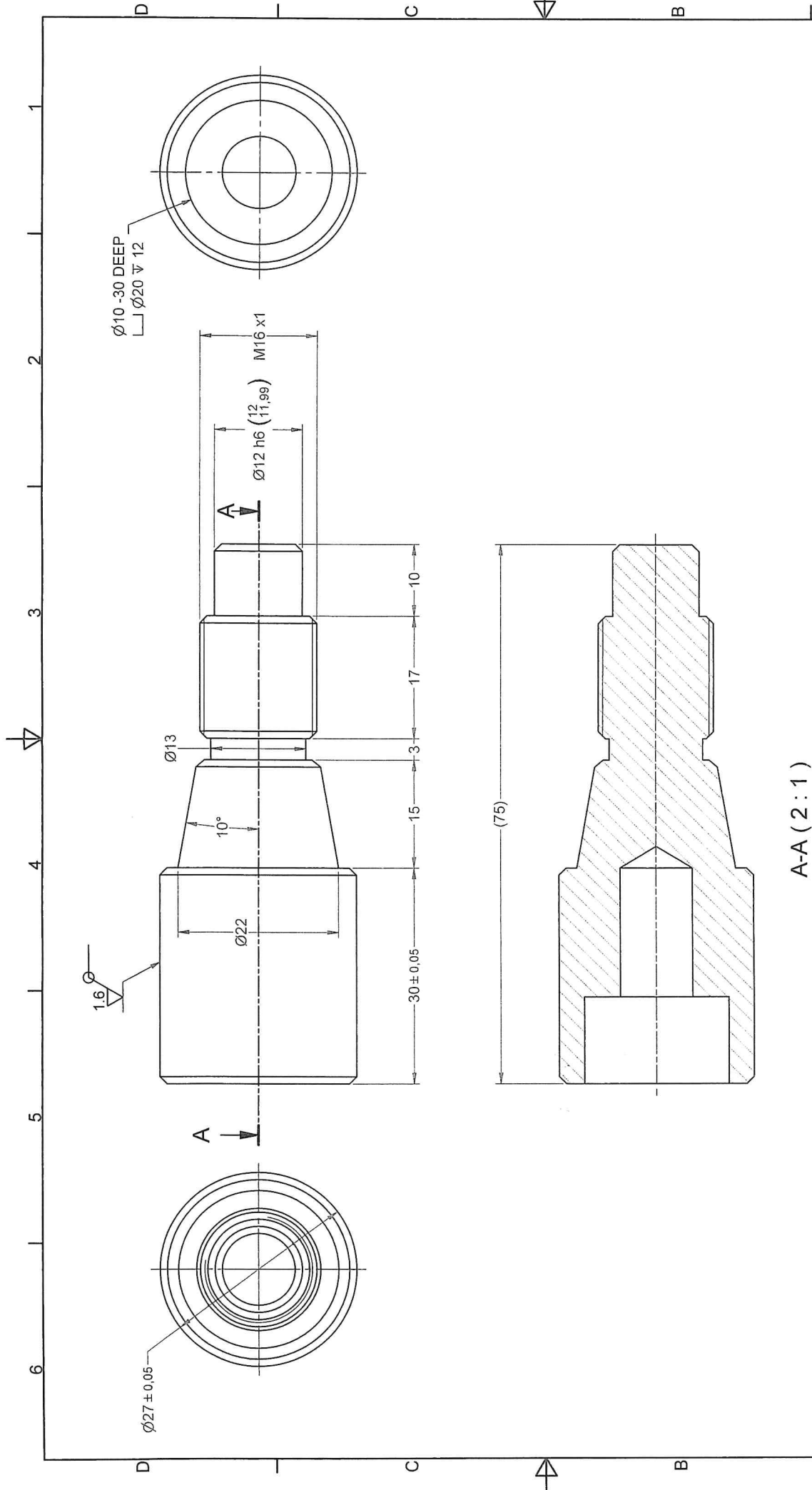
 Istituto Nazionale di Fisica Nucleare SEZIONE DI FERRARA		Prova Pratica Concorso 23544/2021 ALL. N. 3 QUARDO USRBA/US CODE 23544/2021	
NEXT ASSY DWG DATE PROJECT & EXECUTION	Q.I.V. 07/06/2022 EN AW 2011 CHAMFER OTHER MATERIAL 0,2/0,3 x45	NOTE DIMENSIONS 1 0,1 kg 2:1 A3	1 of 1 1 2 3 4 5 6
GENERAL TOLERANCES: ISO 2768/1-m and ISO 2768/2-H MANUFACTURE ONLY WHEN STATUS IS RELEASED		Released	Prova_Pratica_02


- notes (unless otherwise specified)
- chamfers 1x45° unless stated
 - part to be free of burrs and sharp edges
 - all material to be clean, degreased and free of impurities
 - any change must be authorized
 - if in doubt, ask



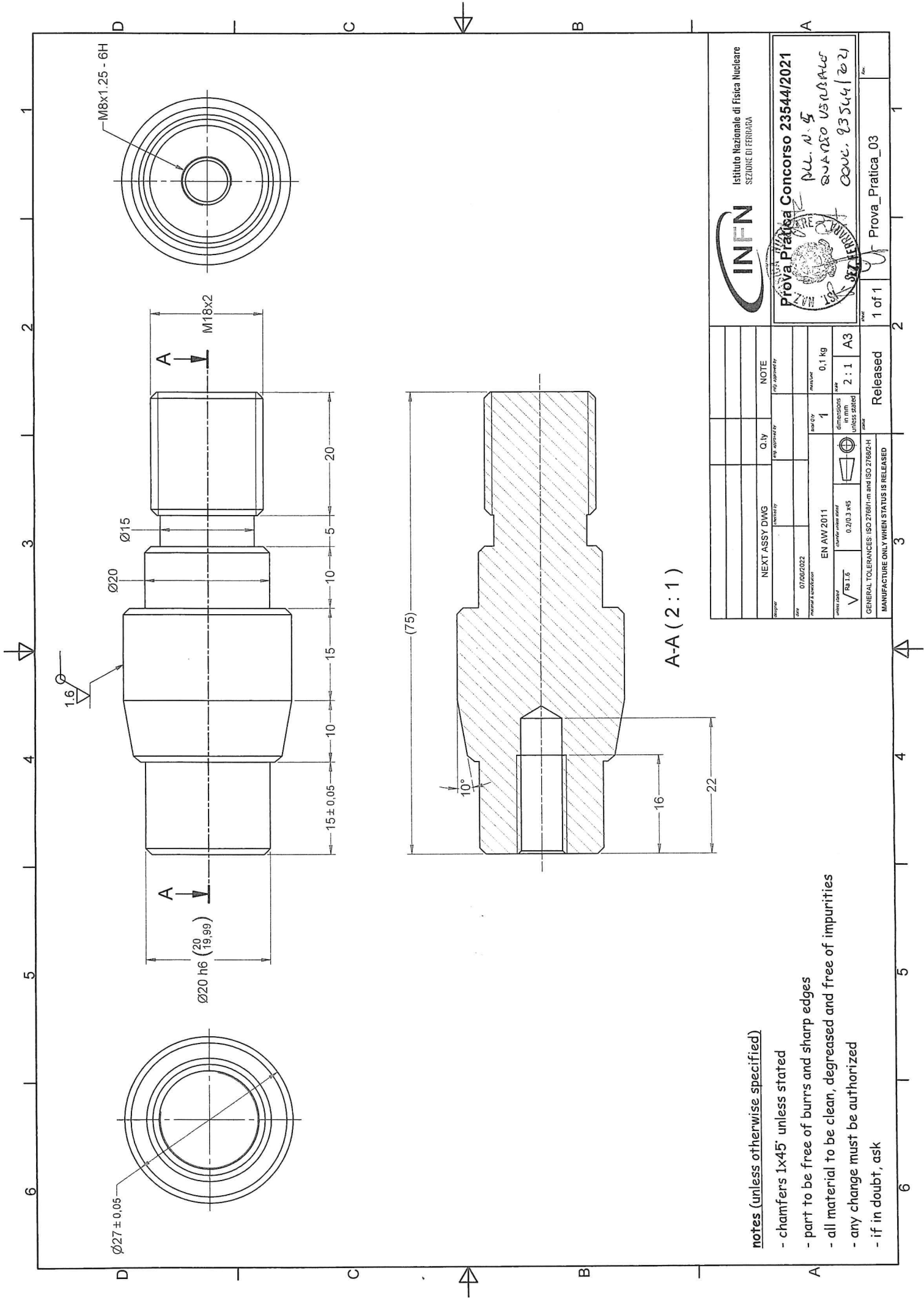
A-A (2:1)

notes (unless otherwise specified)

- chamfers 1x45° unless stated
- part to be free of burrs and sharp edges
- all material to be clean, degreased and free of impurities
- any change must be authorized
- if in doubt, ask

		Istituto Nazionale di Fisica Nucleare SEZIONE DI FERRARA	
NEXT ASSY DWG <small>(Inventory)</small>		Q.ty <small>(Inventory)</small>	
DATE 07/06/2022		NOTE <small>(Inventory)</small>	
MATERIAL SPECIFICATION EN AW 2011 <small>(Inventory)</small>		MASS Gty 1 <small>(Inventory)</small>	
SURF FINISH $\sqrt{Ra 1.6}$ <small>(Inventory)</small>		DIMENSIONS in mm 0.1 kg 2:1 A3 <small>(Inventory)</small>	
GENERAL TOLERANCES: ISO 2768/1 m and ISO 2768/2-H MANUFACTURE ONLY WHEN STATUS IS RELEASED			
Released		1 of 1	
Prova_Pratica_01		1	





- notes (unless otherwise specified)**
- chamfers 1x45° unless stated
 - part to be free of burrs and sharp edges
 - all material to be clean, degreased and free of impurities
 - any change must be authorized
 - if in doubt, ask

		Istituto Nazionale di Fisica Nucleare SEZIONE DI FERRARA	
NEXT ASSY DWG		Q.ty	
DATE: 07/05/2022 PROJECT & REVISION		NOTE	
EN AW 2011 CONFORMANT STANDARD: 0.2/0.3 x45		DIMENSIONS UNLESS STATED: 2:1	
GENERAL TOLERANCES: ISO 27681-m and ISO 27682-H MANUFACTURE ONLY WHEN STATUS IS RELEASED		Released	
1 of 1		Prova_Pratica_03	

Prova Pratica Concorso 23544/2021
 ALL. N. 5
 QUANTO USUALE
 COCC. 93544/2021